

Downlight User Data



Single Colour
(R,G,B,A,W)

1 Channel

-

1.2W per lamp

4VF
Forward Voltage

350mA CC Input

8° / 25° / 40° / Frost
optic lens options

IP20
Ingress Protection

Two-core
connectivity

40mm x 40mmØ
Lamp Dimensions

65mmØ
Housing Cut Out

-10°C / +40°C
Operating Temp

Cooling System:
Convection



Downlight User Data

More Options

N/A

Accessories



Tiltable Gimbal
Supplied

Compatible Drivers



Powers
48 pcs

LED Outputs
1

Max per Output
48 pcs

DMX Channels
1 - 4

Max per Channel
12 pcs



Powers
48 pcs

LED Outputs
4

Max per Output
-

DMX Channels
1 - 16

Max per Channel
12 pcs



Powers
192 pcs

LED Outputs
4

Max per Output
48 pcs

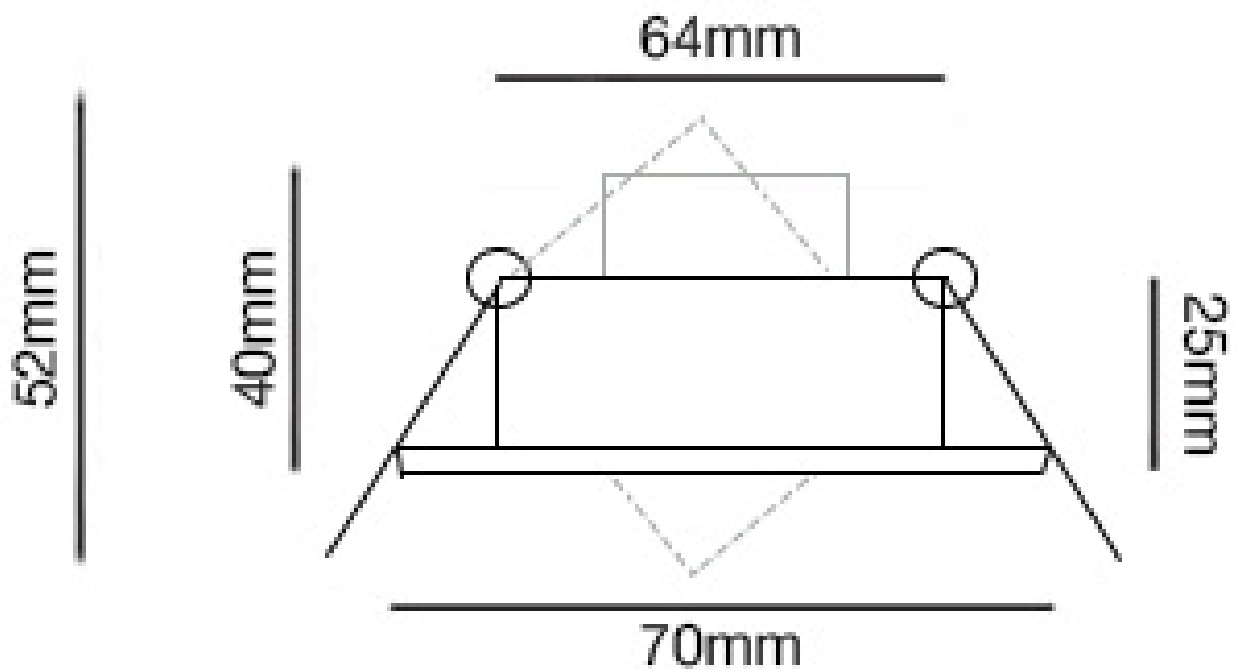
DMX Channels
1 - 16

Max per Channel
12 pcs



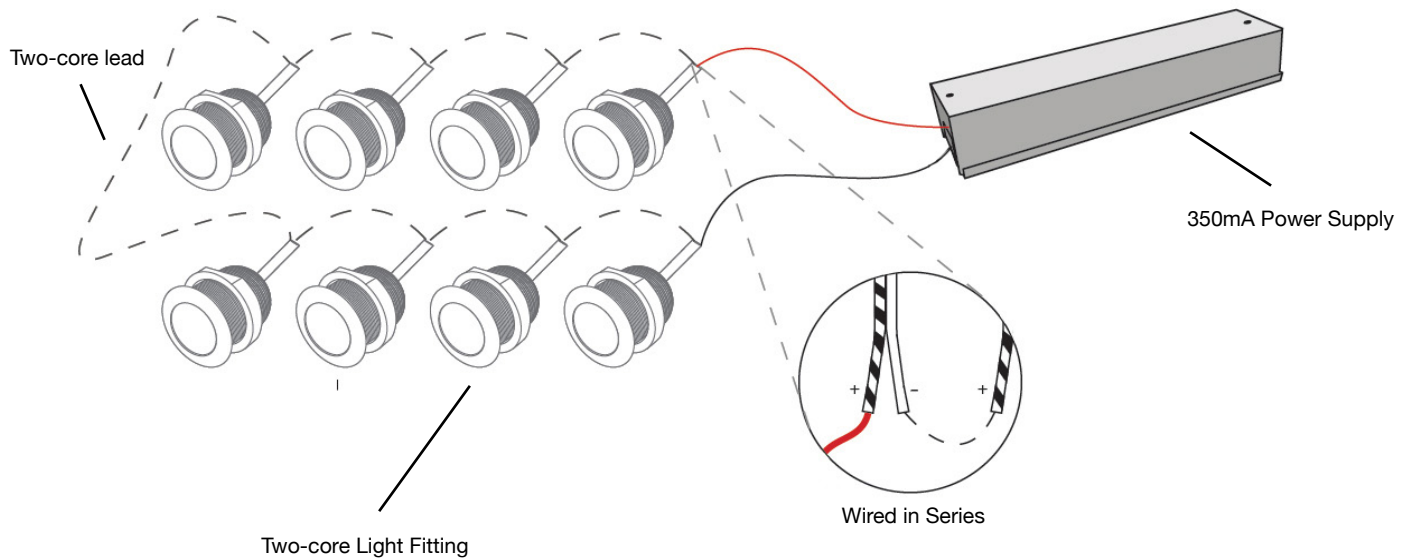
Downlight User Data

Dimensions



Two-core System Wiring

Single Colour Wiring Option



WARNING! Example diagram only. Please read this section carefully before any installation work is carried out. All work should be carried out as per our instructions. Failure to do so may void any warranty. These instructions are to be used in addition to the Driver manuals.

IMPORTANT

All work involving electrical components should be carried out by a competent qualified electrical professional in accordance to IET BS 7671 and any local by-laws.

All mains power **MUST** be turned off before starting installation or maintenance; and **MUST** remain off for the duration of installation or maintenance.

Equipment may become hot to the touch when used for periods of time. Ensure equipment is off and cooled before carrying out maintenance.

DO NOT connect or disconnect light fittings while mains power is connected. All connections **MUST** be made before mains power is connected. Failure to do so may result in catastrophic failure of the LED.

You can install any combination of Two-core fittings from a single **350mA CC** power supply, ensuring the total combined forward voltage of the fittings connected to any given 350mA CC PSU **IS WITH IN** the PSU's stated DC Voltage range.

Any given circuit's combined forward voltage **MUST NOT EXCEED 48V**.

TESTING

You should test each fitting in isolation before continuing installation.

1. Disconnect the PSU from mains power.
2. Connect Two-core light fitting to the PSU in isolation.
3. Power up the PSU.
4. Repeat steps 1 to 3, for each fitting.

If each fitting lights up you can continue with your installation.

If a fitting does not light up please contact us for help. Do not continue your installation.

INSTALLATION

Ensure you have carried out the testing before installation.

1. Disconnect the PSU from mains power.
2. Connect the positive lead of your first fitting to the positive output of your PSU.
3. Connect the negative lead of your first fitting to the positive lead of your next fitting.
4. Repeat steps 2. and 3 for each fitting, ensuring you do not exceed the PSU's stated DC Voltage range or a combined forward voltage of 48V.
5. Connect the negative lead of the last fitting to the PSU's negative.

